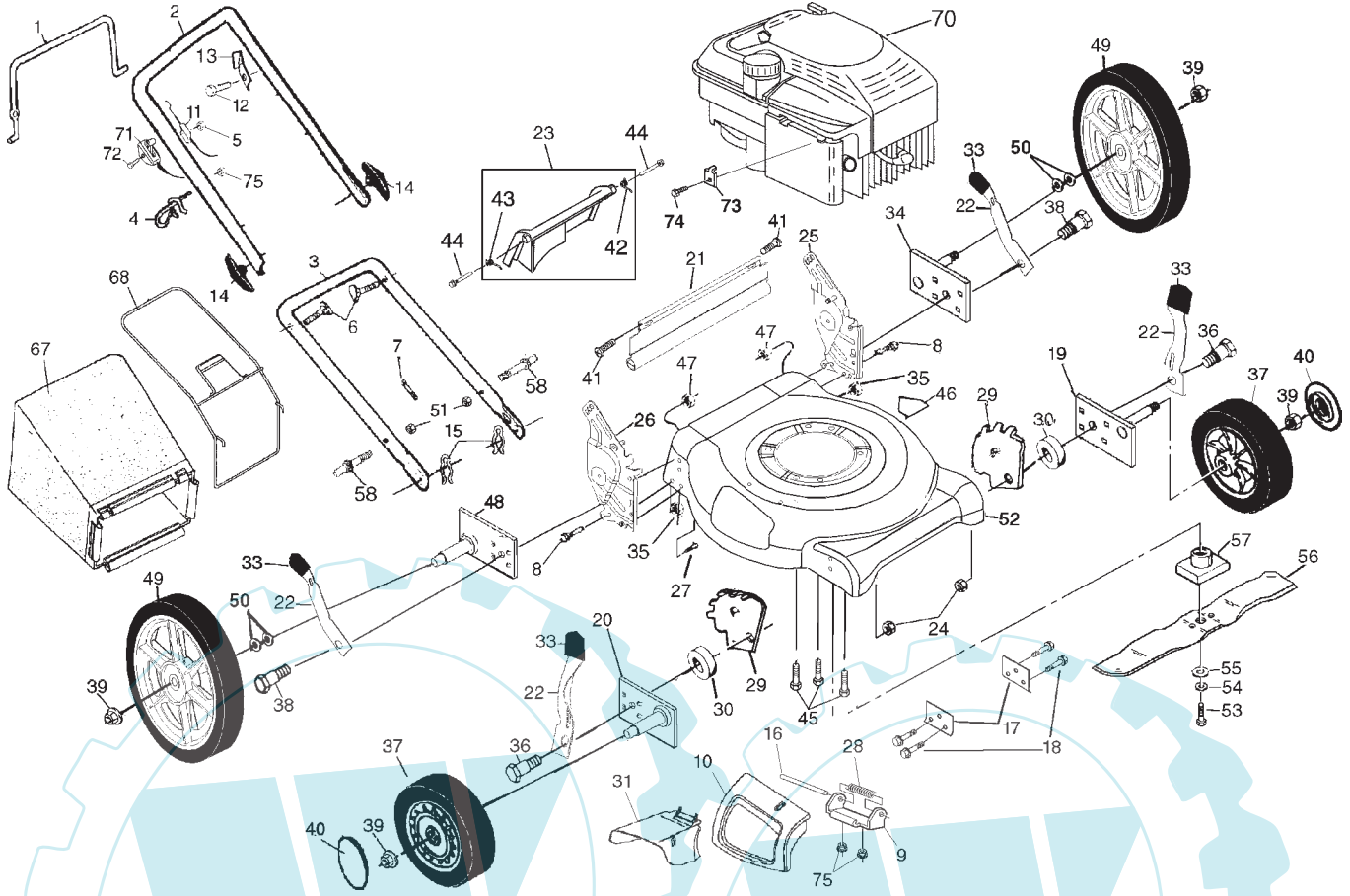


REPAIR PARTS MANUAL
MODEL NO. JR6N21CHC
Rotary Lawn Mower

PARTNER

PARTNER

ROTARY LAWN MOWER - - MODEL NUMBER JR6N21CHC



ROTARY LAWN MOWER - - MODEL NUMBER JR6N21CHC

KEY PART NO. NO.

DESCRIPTION

1	532 13 16-96	Control Bar
2	532 17 76-98	Upper Handle
3	532 16 45-56	Lower Handle
4	532 17 95-85	Rope Guide
5	532 13 20-04	Locknut 1/4-20
6	532 13 19-59	Handle Bolt
7	532 06 64-26	Wire Tie
8	874 78 05-12	Hex Bolt 5/16-18 x 3/4
9	532 15 41-32	Hinge Bracket
10	532 16 57-54	Mulcher Door
11	532 13 31-07	Engine Zone Control Cable
12	532 75 00-97	Hex Washer Head Screw #10-24 x 1/2
13	532 12 51-62	Up-Stop Bracket
14	532 13 63-76	Handle Knob
15	532 05 17-93	Hairpin Cotter
16	532 14 72-86	Hinge Rod
17	532 17 41-12	Support Bracket
18	817 60 04-06	Screw
19	532 16 86-05	Axle Arm Assembly - LF
20	532 16 86-04	Axle Arm Assembly - RF
21	532 16 58-58	Rear Skirt
22	532 16 85-99	Selector Spring
23	532 16 68-75	Rear Door Assembly Kit (Incl. Springs)
24	532 75 11-53	Locknut 5/16-18
25	532 17 42-97	Handle Bracket Assembly (Left)
26	532 17 42-98	Handle Bracket Assembly (Right)
27	532 85 18-56	Screw 1/4-20 x 3/8
28	532 15 21-24	Hinge Spring
29	532 16 57-04	Wheel Adjusting Bracket - Front
30	819 11 22-06	Spacer
31	532 16 57-60	Clip on Discharge Guard
33	532 08 78-77	Selector Knob
34	532 18 36-61	Axle Arm Assembly - LR
35	532 16 67-85	Locknut 5/16-18
36	532 16 08-28	Shoulder Bolt 5/16-18
37	532 14 62-47	Wheel Assembly

KEY PART NO. NO.

DESCRIPTION

38	532 16 43-62	Shoulder Bolt
39	532 08 39-23	Flanged Locknut
40	532 07 74-00	Hubcap
41	532 08 86-52	Hinge Screw
42	532 16 57-66	Spring (LH)
43	532 16 57-67	Spring (RH)
44	532 16 59-12	Door Bolt
45	532 15 04-06	Hex Head Thread Rolling Screw 3/8-16 x 1
46	532 14 18-46	Danger Decal
47	532 06 31-24	Nut
48	532 18 36-62	Axle Arm Assembly - RR
49	532 18 02-06	Wheel
50	532 05 71-43	Wave Washer
51	873 99 05-00	Nut
52	532 17 42-70	Housing Assembly (Incl. Ref. #17, 18 & 46)
53	532 85 10-84	Hex Head Screw 3/8-24 x 1-3/8 Grd. 8
54	532 85 02-63	Helical Lockwasher
55	532 85 10-74	Hardened Washer
56	532 17 50-64	21" Blade
57	532 85 15-14	Blade Adapter
58	532 16 15-51	Adjustment Bolt
67	532 17 42-69	Grass Bag
68	532 18 03-32	Catcher Frame
70	---	Engine - (Order parts from engine manufacturer) Briggs & Stratton 12H802
71	532 16 69-71	Throttle Control
72	532 14 49-29	Screw
73	532 11 11-90	Clamp
74	532 08 38-16	Screw
75	532 06 36-01	Nut, Hex 1/4-20
--	532 16 10-58	Warning Decal (Not Shown)
--	532 17 27-82	Operator's Manual(English)
--	532 17 27-84	Operator's Manual(Spanish)
--	532 18 36-54	Replacement Parts Manual

NOTE: All component dimensions given in U.S. inches.
1 inch = 25.4 mm